



Product overview



GC-1WMPT 300A 1 Way Pass-through Connector

Features:

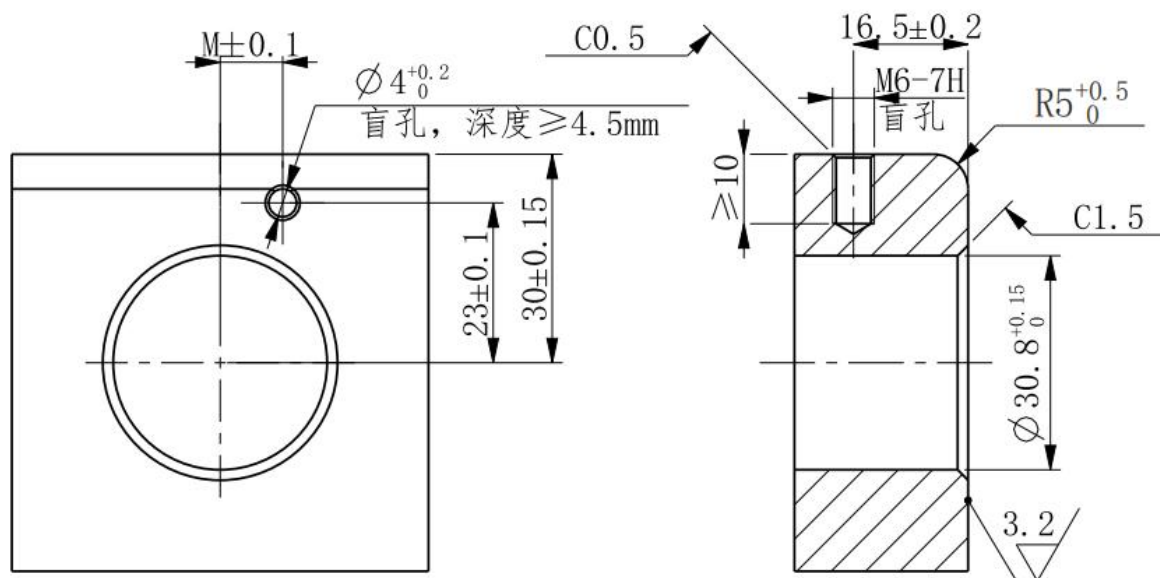
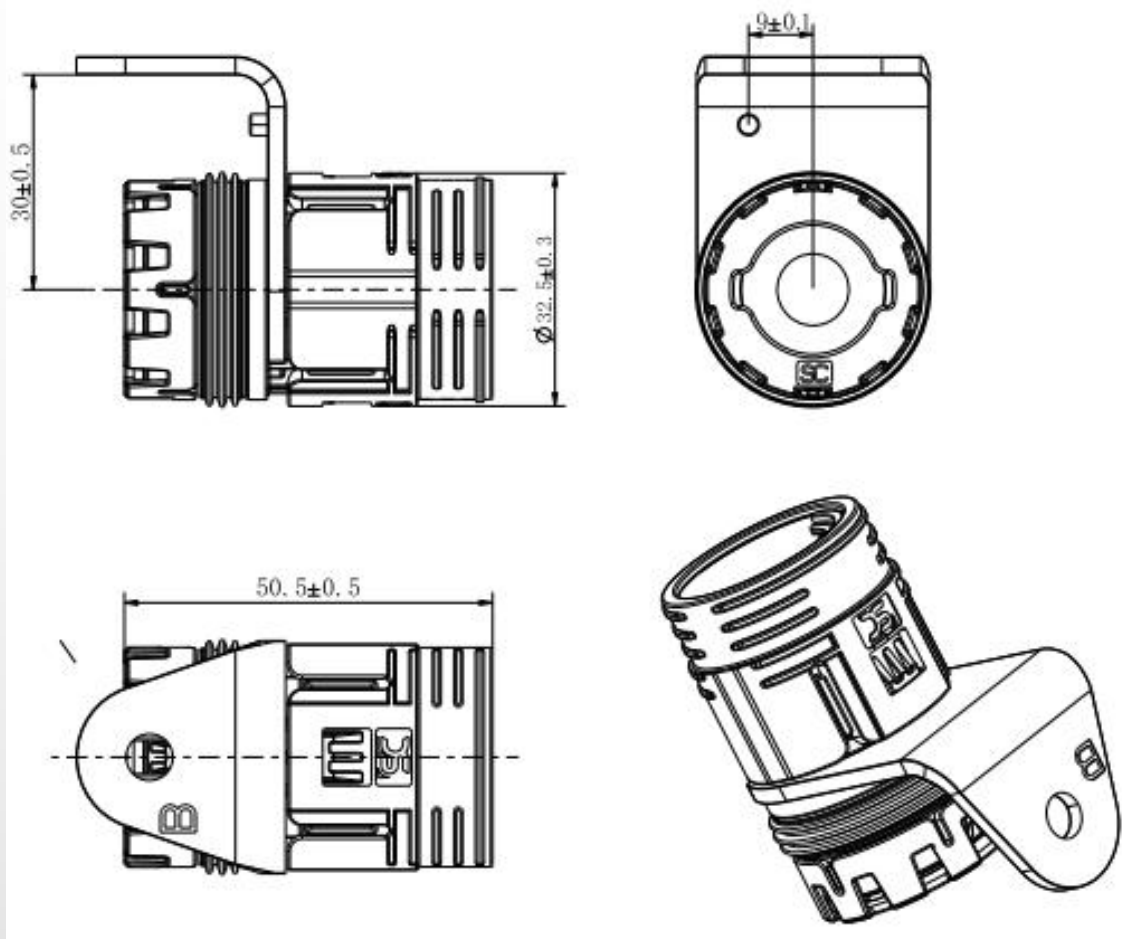
- ✓ The corrugated pipe can be assembled to improve the efficiency of wire making and can replace the gland head products;
- ✓ Through the structural design, the corrugated pipe maintains a strong force after assembly and is not easy to fall out;
- ✓ The separate structure of the bracket and the shell makes the installation size high error tolerance and easy installation;
- ✓ The protection level can reach IP68, IP6K9K.

Application: High-voltage and high-current connections between new energy vehicle motor controllers, all-in-one controllers, PDUs, and other equipment

The main technical parameters:

- Number of holes: 1 hole
- Product specifications: 2*6mm², 2*8mm², 2*10mm², 25mm², 35mm², 50mm², 70mm², 95mm²
- Voltage rating: 4000V
- Rated current: 350A max
- Temperature resistance grade: -40~140°C
- Shielding effect: 360° shielding
- Protection level: IP68, IP6K9K
- Salt spray class: 96H
- Mechanical life: 50 times
- Vibration class: V3 vibration class in QC/T 1067.1-2017

➔ MOUNTING PANEL SIZE

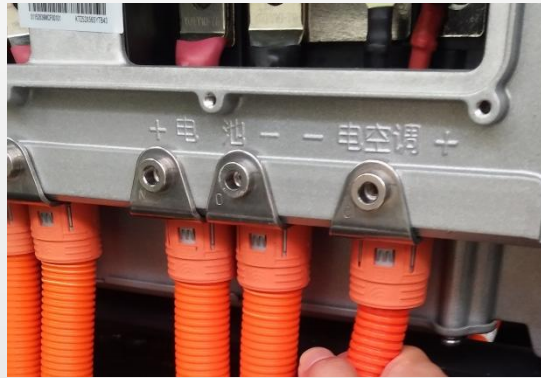


Key	A	B	C	D	N	E	F	G	H
Size M	12	9	6	3	0	-3	-6	9	-12

See the size table for the hole size M of different key position products, where the negative value indicates the other side of the center line of the key position.

APPLICATION

GC-1WMPT 300A High Voltage Connector



- This product has been installed in small batches of Yutong E12\E10\E8 pure electric buses;
- And it has been promoted and installed on pickup trucks, heavy trucks and other vehicles, completely replacing the Gland Head products.